

DS-2CE10DF0T-LFS 2MP Smart Hybrid Light ColorVu Fixed Mini Bullet Camera



- High quality imaging with 2 MP, 1920 × 1080 resolution
- 24/7 color imaging with F1.0 aperture
- 3D DNR technology delivers clean and sharp images
- 2.8 mm, 3.6 mm fixed focal lens
- Up to 20 m white light distance for bright night imaging
- Up to 20 m IR distance for bright night imaging
- High quality audio with audio over coaxial cable, built-in mic
- One port for four switchable signals (TVI/AHD/CVI/CVBS)
- Water and dust resistant (IP67)

▪ Specification

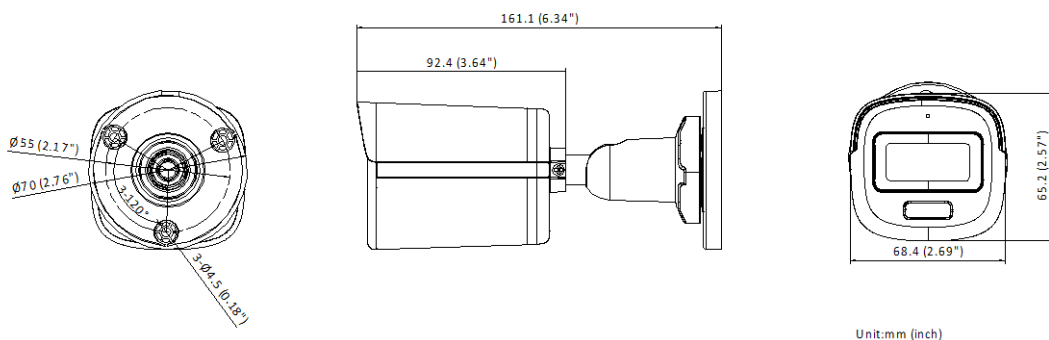
Camera	
Image Sensor	2 MP CMOS
Max. Resolution	1920 (H) × 1080 (V)
Min. Illumination	0.001 Lux @ (F1.0, AGC ON), 0 Lux with white light
Shutter Time	PAL: 1/25 s to 1/50,000 s; NTSC: 1/30 s to 1/50,000 s
Day & Night	ICR
Angle Adjustment	Pan: 0° to 360°, Tilt: 0° to 90°, Rotate: 0° to 360°
Signal System	PAL/NTSC
Lens	
Lens Type	2.8 mm and 3.6 mm fixed focal lens
Focal Length & FOV	2.8 mm, horizontal FOV: 105°, vertical FOV: 56°, diagonal FOV: 126° 3.6 mm, horizontal FOV: 84°, vertical FOV: 46°, diagonal FOV: 98°
Lens Mount	M12
Illuminator	
Supplement Light Type	IR, White Light
Supplement Light Range	IR: Up to 20 m, White Light: Up to 20 m
Smart Supplement Light	Yes
Image	
Image Parameters Switch	STD/HIGH-SAT/HIGHLIGHT
Image Settings	Brightness, Sharpness, Anti-banding, AGC
Frame Rate	TVI: 1080p @25 fps/30 fps CVI: 1080p @25 fps/30 fps AHD: 1080p @25 fps/30 fps CVBS: PAL/NTSC
Day/Night Mode	Auto/Color/BW (Black and White)
Wide Dynamic Range (WDR)	Digital WDR
Noise Reduction	3D DNR/2D DNR
White Balance	Auto, Manual
Image Enhancement	DWDR, BLC, HLC, Global
Interface	
Video Output	Switchable TVI/AHD/CVI/CVBS
Built-in Microphone	Yes
General	
Material	Front cover: Plastic, Main body: Metal
Power	12 VDC ± 25%, max. 2.9 W, *You are recommended to use one power adapter to supply the power for one camera.
Dimension	161.1 mm × 68.4 mm × 65.2 mm (6.34" × 2.69" × 2.57")
Weight	Approx. 395 g (0.87 lb.)
Operating Condition	-40 °C to 60 °C (-40 °F to 140 °F). Humidity 90% or less (non-condensing)
Communication	HIKVISION-C

Language	English
Approval	
Protection	IP67

▪ **Available Model**



DS-2CE10DF0T-LFS

▪ **Dimension**



▪ **Accessory**

▪ **Optional**

DS-1280ZJ-XS Junction box	DS-2280ZJ Wall mount
	

Headquarters

No.555 Qianmo Road, Binjiang District,
Hangzhou 310051, China
T +86-571-8807-5998
www.hikvision.com



Follow us on social media to get the latest product and solution information.

