

DH-HAC-HFW2120S

1.4Megapixel 720P Water-proof IR HDCVI Camera



Features

- 1/3" 1.4Megapixel CMOS
- 25/30/50/60fps@720P
- High speed, long distance real-time transmission
- HD and standard definition switchable
- OSD Menu, control over coaxial cable
- Day/Night(ICR), AWB, AGC, BLC, 3D-DNR
- 6mm fixed lens (2.8 mm, 3.6mm, 8mm optional)
- Max. IR LEDs length 20m, Smart IR
- IP66, DC12V

DH-HAC-HFW2120S

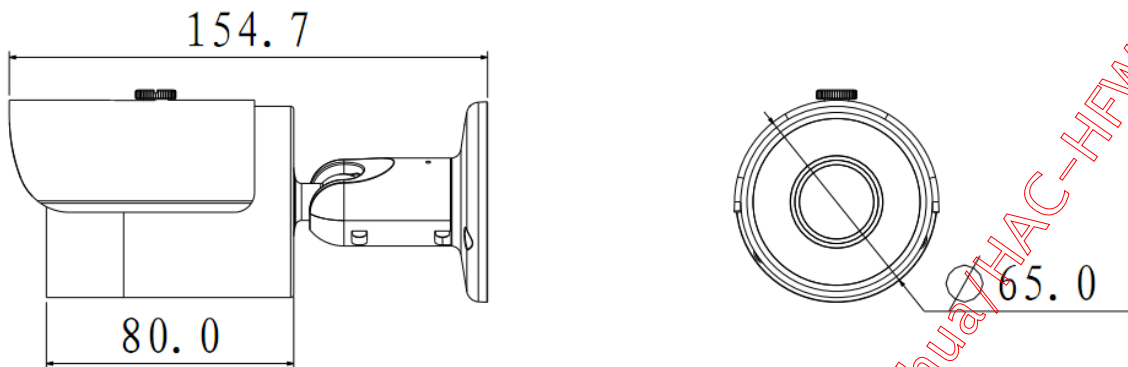
Technical Specifications

Model	DH-HAC-HFW2120SP	DH-HAC-HFW2120SN
Camera		
Image Sensor	1/3" 1.4Megapixel CMOS	
Effective Pixels	1305(H)×1049(V)	
Electronic Shutter	1/3s~1/100,000s	
Video Frame Rate	25/50fps@720P	30/60fps@720P
Synchronization	Internal	
Min. Illumination	0.01Lux@F1.2(AGC ON), 0Lux IR on	
Video Output	1-channel BNC HDCVI high definition video output/ CVBS standard definition video output (Can switch)	
Camera Features		
Max. IR LEDs Length	20m, Smart IR	
Day/Night	Auto(ICR) / Color / B/W	
Noise Reduction	2D/3D	
OSD Menu	Support	
Lens		
Focal length	6mm (2.8 mm, 3.6mm, 8mm optional)	
Mount Type	M12	
General		
Power Supply	DC12V±10%	
Power Consumption	Max 4.2W	
Working Environment	-30°C~+60°C / Less than 95%RH (no condensation)	
Transmission Distance	Over 500m via 75-3 coaxial cable	
Ingress Protection	IP66	
Dimensions(W×D×H)	Φ65mm×154.7mm	
Weight	0.38kg	
Others	Default: bracket included	

<http://www.e-camere.ro/Camere-supraveghere-hd-sd/Dahua/HAC-HFW2120S>

DH-HAC-HFW2120S

Dimensions (mm)



Accessories (optional)



Securitatea Ltd.

20181 Cesano Maderno (MB)

Tel: +39-02.39198473

Fax: +39-02.45503999

Email: info@setik.biz

www.setik.biz

*Design and specifications are subject to change without notice.

© 2013 Dahua Technology Co., Ltd.