

DHI-ITSJC-2303-DC12

79 GHz Anti-smashing Radar



- Uses the latest algorithm to filter interference and is suitable for advertising barriers, fence arm barriers, straight arm barriers, and folding arm barriers.
- Adjustable detection distance and width, applicable to multiple scenes.
- Supports updating through serial port and mobile app (with Wi-Fi connection), and allows online commissioning and firmware update.
- The radar reads the surroundings automatically, which makes it applicable to complicated scenes.
- Connects to cameras through RS-485 to obtain parameters and working logs of the radar on camera web interface.

System Overview

The 79 GHz anti-smashing radar adopts leading technologies of high-precision microwave measurement and high-speed digital signal processing, endowing it with high accuracy, free of commissioning, and high stability. The radar is ideal for working with boom barrier to monitor and control vehicles entry and exit, and prevent the barrier arm from hitting the vehicles or human.

Functions

Compatible with Various Barriers

Uses the latest algorithm to filter interference and is suitable for advertising barriers, fence arm barriers, straight arm barriers, and folding arm barriers.

Adjustable Detection Range

Adjustable detection distance and width, applicable to multiple scenes.

Easy for Commissioning

Supports updating through serial port and mobile app (with Wi-Fi connection), and allows online commissioning and firmware update.

Automatic Surroundings Reading

The radar reads the surroundings automatically, which makes it applicable to complicated scenes.

Easy to View Information

Connects to cameras through RS-485 to obtain parameters and working logs of the radar on camera web interface.

Scene

Applicable for entrances/exits of malls, hospitals, schools, residential areas, office buildings and stations.

Technical Specification

Basic

| | |
|--------------------------|---|
| Radar Modulation Type | FMCW |
| Radar Frequency Rangg | 77 GHz–81 GHz |
| Radar Power Transmission | 15 dBm |
| Wi-Fi Standard | IEEE802.11b/g/n |
| Wi-Fi Frequency Range | 2400 MHz - 2483.5 MHz |
| Wi-Fi Power Transmission | 802.11 b: +20 dBm 802.11 g: +17 dBm 802.11 n: +14 dBm |
| Beam Width | Vertical: ± 10°, horizontal: ± 36° |
| Response Time | 50 ms |
| Detection Region | 0.3 m–6 m (0.98 ft–19.69 ft) (adjustable) |
| Anti-smashing Region | 0 m–2 m (0 ft–6.56 ft) (adjustable) |

Function

| | |
|----------------------|--|
| Detection Target | Human, vehicle |
| Online Commissioning | Yes, through serial port or mobile app (with Wi-Fi connection) |
| Update | Yes, through serial port or mobile app (with Wi-Fi connection) |

Port

| | |
|--------|--|
| RS-485 | 1 |
| I/O | 2 (1 for update input, 1 for relay output) |

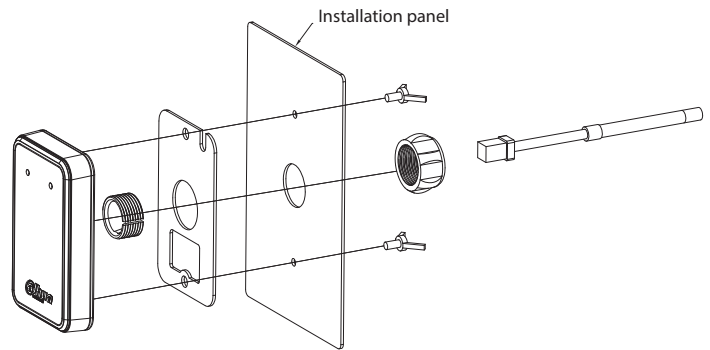
General

| | |
|-----------------------|--|
| Operating voltage | 9 V–12 V DC |
| Operating Current | < 0.25 A |
| Power Consumption | < 3 W |
| Operating Temperature | –40 °C to +85 °C (–40 °F to +185 °F) |
| Protection Grade | IP66 |
| Product Dimensions | 96 mm × 60 mm × 16.4 mm (3.78" × 2.36" × 0.65") (L × W × H) |
| Net Weight | 70 g ± 10 g (0.15 lb ± 0.02 lb) |
| Gross Weight | 220 g ± 20 g (0.49 lb ± 0.04 lb) |
| Installation | Case side mount |

Ordering Information

| Type | Model | Description |
|---------------------|---------------------|--|
| Anti-smashing radar | DHI-ITSJC-2303-DC12 | 79 GHz distribution-specific anti-smashing radar |
| Accessories | SOY-1200330L | AC/DC power adopter |

Installation



Dimensions (mm[inch])

