

DS-2TD2615-7'10

Thermal Bi-spectrum Network Bullet Camera



Hikvision DS-2TD2615-7/10 Thermal Bi-spectrum Network Bullet Camera is applied to perimeter defense and fire-prevention purposes in critical infrastructures such as: airport, railway, prison, power station, 4S stores, and so on. The pre-alarm system helps you discover unexpected events immediately and protects you from property loss.

Smart Function (Thermal Imaging)

- Leading image processing technology: Adaptive AGC, DDE, 3D DNR, NETD < 50mk (0.05°C/32.09°F)
- Powerful behavior analysis algorithm: Line crossing, Intrusion, Audio exception, Region Entrance & Exit
- Reliable temperature exception alarm function
- Advanced fire detection algorithm

Thermal Imaging Module Function

- 320*240 resolution, high sensitivity sensor, support contrast adjustment
- Support shutter adjustment in various modes
- 3D DNR, 15 palettes of color adjustable, image detail enhancement
- Support mirror image, digital zoom X2, X4 and local output
- 7mm and 10mm Lens are optional
- Support bi-spectrum image fusion, picture in picture preview, and image switching



Specifications

Parameter		Model	DS-2TD2615-7	DS-2TD2615-10
		Thermal Bi-spectrum Network Bullet Camera		
Thermal Module	Image sensor	Vanadium Oxide Uncooled Focal Plane Arrays		
	Max. Resolution	160 × 120		
	Pixel interval	25μm		
	Response waveband	8μm to 14μm		
	NETD	< 50mk(@25°C,F#=1.0)		
	Lens (focal length)	7 mm	10 mm	
	MRAD	3.57 mrad	2.50 mrad	
	Field of View	33.9° × 25.0°	23.3° × 17.0°	
	Min. Focusing Distance	0.8 m	1.0 m	
	F number	1.0		
Optical camera	Max. image resolution	1920×1080		
	Image Sensor	1/2.8" Progressive Scan CMOS		
	Min. Illumination	Color: 0.002 Lux @(F1.5,AGC ON), B/W: 0.0002 Lux @(F1.5, AGC ON)		
	Shutter Speed	1s~1/100,000s		
	Focal Length	6mm	8mm	
	Field of View	52.8° × 30.0°	40.0° × 22.4°	
	WDR	Digital WDR		
	Day & Night	IR cut filter with auto switch		
Image function	Image	Support bi-spectrum image fusion, picture in picture preview, and image switching		
Smart function	VCA	Intrusion/Line crossing/Region entrance/ Region exiting, Max 8 rules		
	Temperature range	-20°C ~ 150°C		
	Temperature accuracy	± 8°C		
	Temperature measurement	Support 10 points, 10 regions and 1 line		
	Fire detection	Max 10 fire points for live view		
Infrared	IR Distance	Up to 30m		
	IR Intensity	Automatically adjusted		
Network	Main Stream	Visible Light: 50Hz:25fps(1920×1080), 25fps(1280×960), 25fps(1280×720) Visible Light: 60Hz:30fps(1920×1080), 30fps(1280×960), 30fps(1280×720) Thermal: 50fps(320×240)		
	Sub stream	Visible Light: 50Hz:25fps (704 × 576), 25fps (352 × 288), 25fps (176 × 144) Visible Light: 60Hz:30fps (704 × 480), 30fps (352 × 240), 30fps (176 × 120) Thermal: 50fps (320 × 240)		
	Video compression	H.264/MJPEG, H.264+ encoding with Baseline/Main/High Profile		
	Audio compression	G.711u/G.711a/G.722.1/MP2L2/G.726/PCM		
	Protocols	IPv4/IPv6,HTTP,HTTPS,802.1x,Qos,FTP,SMTP,UPnP,SNMP,DNS,DDNS,NTP,RTSP,RTCP,RTP,TCP,UDP,IGMP,ICMP,DHCP,PPPoE		
	Simultaneous live view	Up to 20		
	User/Host level	Up to 32 users, 3 levels: Administrator, Operator, User		
	Security measures	User authentication (ID and PW), MAC address binding, HTTPS encryption, IEEE 802.1x access control, IP address filtering		
	Integration	Alarm Input	2-ch inputs (0-5vDC)	
Alarm Output		2-ch relay outputs, alarm response actions configurable		
Alarm Action		SD recording/Relay output/Smart capture/FTP upload/Email linkage		
Audio Input		1 3.5mm Mic in/Line in interface. Line input: 2-2.4V[p-p], output impedance:1KΩ±10%		
Audio Output		Linear Level; Impedance: 600Ω		
Reset		1 Reset Button		
Ethernet		1 RJ45 10M/100M Self-adaptive Ethernet interface		

	SD memory card	Built-in Micro SD card slot, support Micro SD/SDHC/SDXC card (up to 128G), support manual alarm recording
	Analog Video Output	1.0V [p-p]/75Ω, PAL/NTSC/BNC
	Application programming	Open-ended API, support ONVIF, PSIA, ISAPI, HIKVISION SDK and third-party management platform
	Client	iVMS-4200
	Web Browser	IE7+, Chrome18+, Firefox5.0+, Safari5.02+
General	Menu language	English
	Power	AC24V, DC12V, PoE+
	Work Temperature/Humidity	-40 °C to 60 °C (-40 °F to 140 °F), 90% or less
	Protection Level	IP67 Standard TVS 6000V Lightning protection, surge protection, voltage transient protection
	Dimensions	314mm × 104mm × 292.7mm (12.36" × 4.09" × 11.52")
	Weight	Approx. 1.55Kg(3.42lb)

<https://www.e-camere.ro/supraveghere-video/camere/HikVision/camera-ip-thermal-2mp-external-ir-30m-poe-slot-card-ventila-7-hikvision-ds-2td261371>

Wide Range Coverage for Different Specifications

Note: The table below is only for reference, the performance varies from model to model, and the specific data is based on 25 μm pixel space-between.

Lens (focal length)	7mm	10mm	15mm	25mm	35mm	50mm	75mm
Detection range (Vehicles)	429m	613m	920m	1533m	2147m	3067m	4600m
Detection range (Humans)	140m	200m	300m	500m	700m	1000m	1500m
Recognition range (Vehicles)	107m	153m	230m	383m	537m	767m	1150m
Recognition range (Humans)	35m	50m	75m	125m	175m	250m	375m
Identification range (Vehicles)	54m	77m	115m	192m	268m	383m	575m
Identification range (Humans)	18m	25m	38m	63m	88m	125m	188m

Smart functions Range Table

Note: The table below is only for reference, the performance varies from model to model, and the specific data is based on 25 μm pixel space-between.

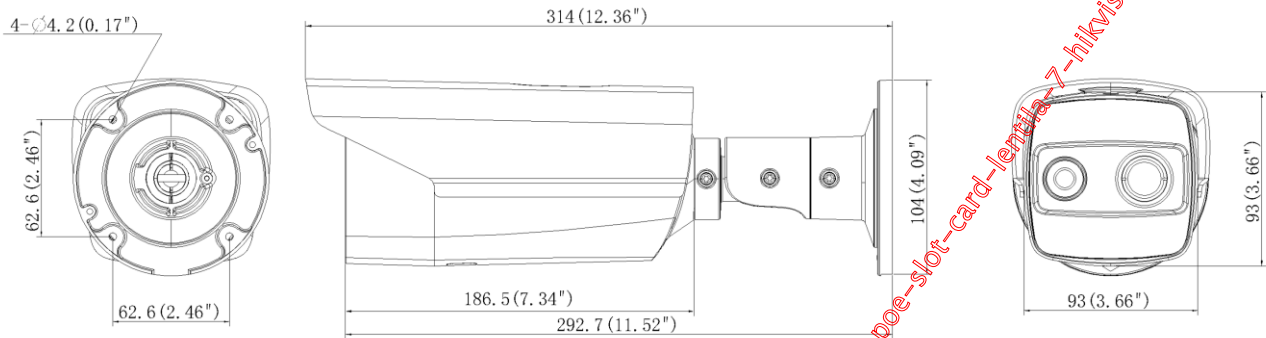
Lens (focal length)	7mm	10mm	15mm	25mm	35mm	50mm	75mm
VCA range (humans)	35m	50m	75m	125m	175m	250m	375m
VCA range (Vehicles)	98m	140m	210m	350m	490m	700m	1050m
Temperature measurement (Object:2×2 m)	112m	160m	240m	400m	560m	800m	1200m
Temperature measurement ((Object:1×1 m)	56m	80m	120m	200m	280m	400m	600m
Fire Detection (Object:2×2 m)	280m	400m	600m	1000m	1400m	2000m	3000m
Fire Detection (Object:1×1 m)	140m	200m	300m	500m	700m	1000m	1500m

<https://www.e-camere.ro/supraveghere-video/camere/HikVision/camera-ip-thermal-2mp-exterior-ir-30m-ipc-slot-card-lens-7-hikvision-ds-2td2615-7/>

Order Models

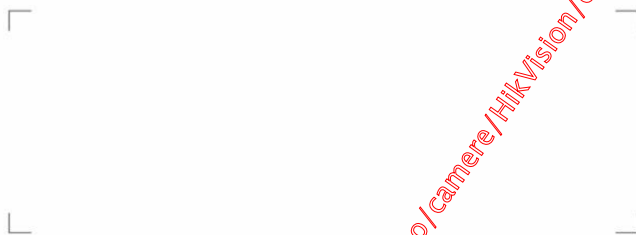
DS-2TD2615-7; DS-2TD2615-10;

Dimensions



Unit:
mm (inch)

Distributed by



HIKVISION®

Headquarters

No.555 Qianmo Road, Binjiang District
Hangzhou 310051, China
T +86-571-8807-5998
overseasbusiness@hikvision.com

Hikvision USA
T +1-909-895-0400
sales.usa@hikvision.com

Hikvision Italy
T +39-0438-696000
info.it@hikvision.com

Hikvision Singapore
T +65-6341-4718
sg@hikvision.com

Hikvision Africa
T +27 (0) 0351172
sale.africa@hikvision.com

Hikvision Europe
T +31-23-55-42-770
info.eu@hikvision.com

Hikvision France
T +33(0)1-85-330-450
info.fr@hikvision.com

Hikvision Oceania
T +61-2-8599-4233
salesau@hikvision.com

Hikvision Hong Kong
T +852-2151-1761

Hikvision Middle East
T +971-4-8816086
salesme@hikvision.com

Hikvision Spain
T +34-91-737-16-55
info.es@hikvision.com

Hikvision Canada
T +1-909-895-0400
sales.usa@hikvision.com

Hikvision Russia
T +7-495-669-67-99
saleru@hikvision.com

Hikvision Poland
T +48-22-460-01-50
poland@hikvision.com

Hikvision Korea
T +82-31-731-8841
sales.korea@hikvision.com

Hikvision India
T +91-22-28469900
sales@pramahikvision.com

Hikvision UK
T +01628-902140
support.uk@hikvision.com

Hikvision Brazil
T +55 11 3318-0050
Latam.support@hikvision.com