

PFA110

Mount Adapter



Features

- Material: Aluminum
- Mount Adapter
- Neat & Integrated design

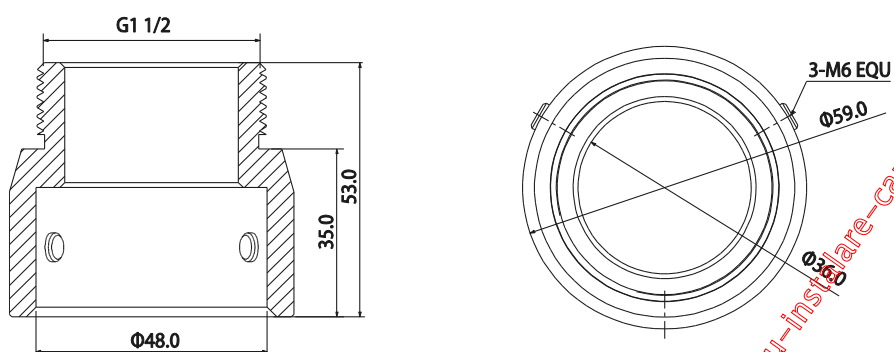
Specifications

Model	PFA110
General	
Material	Aluminum
Dimension (W x H x D)	Φ59mm x 53mm
Pipe Thread	G1 ₁ / 2"
Operating Temperature	-40°C ~60°C
Humidity	0~90% RH
Load Bearing	N/A
Weight	0.2kg
Applicable Model	Please see "Accessory Selection"

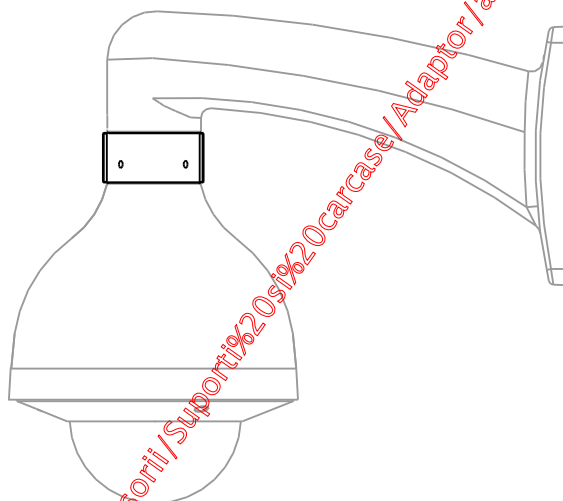
<https://www.e-camera.ro/suporturi-video/accesorii/Suport%20si%20carcase/Adaptor/adaptor-pentru-instalare-camere-dahua-pfa110/>

PFA110

Dimensions (mm)



Application



<https://www.e-camere.ro/supraveghere-video/accesorii/Suportii%20si%20carcase/Adaptor/adaptor-pentru-instalare-camere-dahua-pfa110/>